

Accessories for compression tension load cells

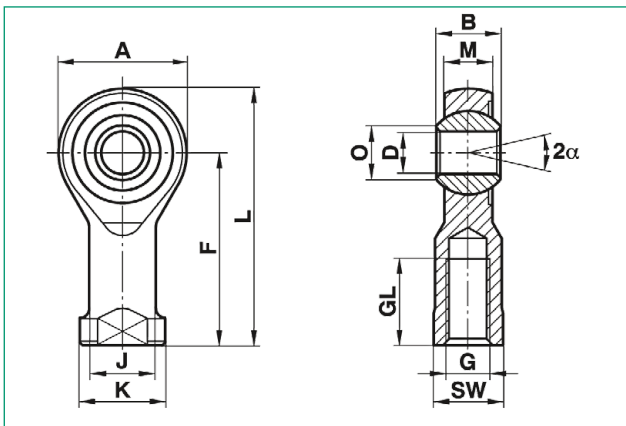
Model 8591-Zxxx



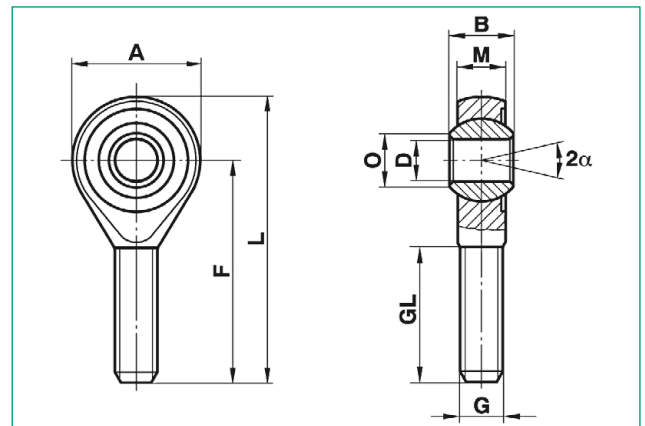
Rod ends with internal/external thread for force introduction

- Optimal force introduction
- Compensation of misalignments
- Very high dynamic und static load capacity
- Material: stainless steel
- Temperature range: - 45 °C to + 120 °C
- PTFE insert, maintenance-free
- DIN 648 series K
- Bore holes H7, recommended connection pin: g6
- Inner ring not suitable for permanent rotary operation

8591-ZxxF



8591-ZxxM



Internal thread (Female)

Order Code	B	M	A	F	L	K	J	O	D	SW	G	GL	α (°)	stat. load factor (kN)	dyn. load factor (kN)	Weight (g)
8591-Z04F	7	5.25	16	24	31	9.5	7.8	6.5	4	8	M 4 x 0.7	10	13	4	2.3	11
8591-Z05F	8	6	18	27	36	11	9	7.7	5	9	M 5 x 0.8	10	13	11.8	7.5	18
8591-Z06F	9	6.75	20	30	40	13	10.0	8.9	6	11	M 6 x 1.0	12	13	16.7	9.3	27
8591-Z12F	16	12	32	50	66	19	17.5	15.4	12	19	M 12 x 1.5	22	13	34.5	32	115

All measurements in mm.

External thread (Male)

Order Code	B	M	A	F	L	O	D	G	GL	α (°)	stat. load factor (kN)	dyn. load factor (kN)	Weight (g)
8591-Z08M	12	9.00	24	42	54	10.4	8	M 8 x 1.25	25	14	19.5	16.7	33
8591-Z12M	16	12.00	32	54	70	15.4	12	M 12 x 1.5	33	13	42.0	32.0	87
8591-Z36M	43	28	80	125	165	37.7	35	M 36 x 3.0	73	19	230.0	205.0	1600

All measurements in mm.

Order information

Rod end, M 8 x 1,25, external thread (Male)

8591-Z08M