

## Accessories

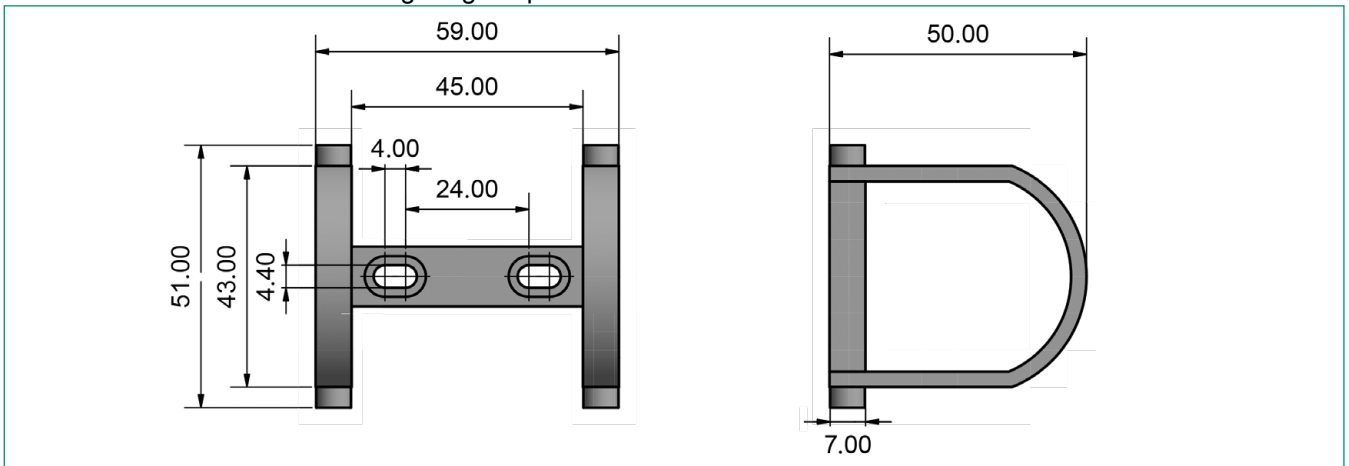
### for torque sensor model 8645/8646

#### Model 8645-Z00X



The bracket allows a rapid and simple fastening of the sensor.

8645-Z003 - suitable for measuring ranges up to 17.5 Nm



8645-Z004 - suitable for measuring ranges from 75 Nm to 250 Nm

